



GSR | GSB Professional **HEAVY DUTY**

185-LI



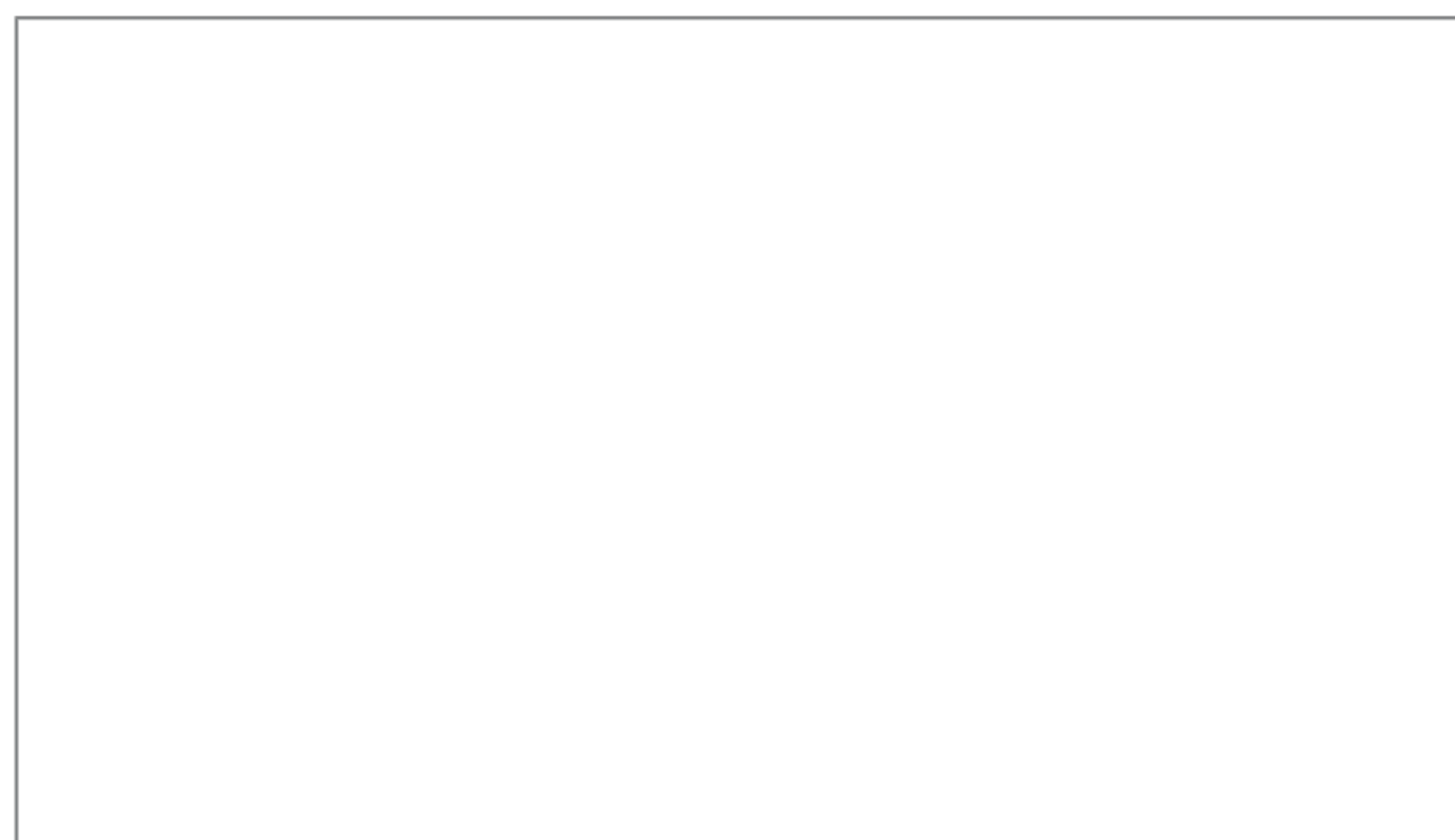
Robert Bosch Power Tools GmbH
70538 Stuttgart
GERMANY

www.bosch-pt.com

1 609 92A 892 (2022.09) AS / 237



1 609 92A 892

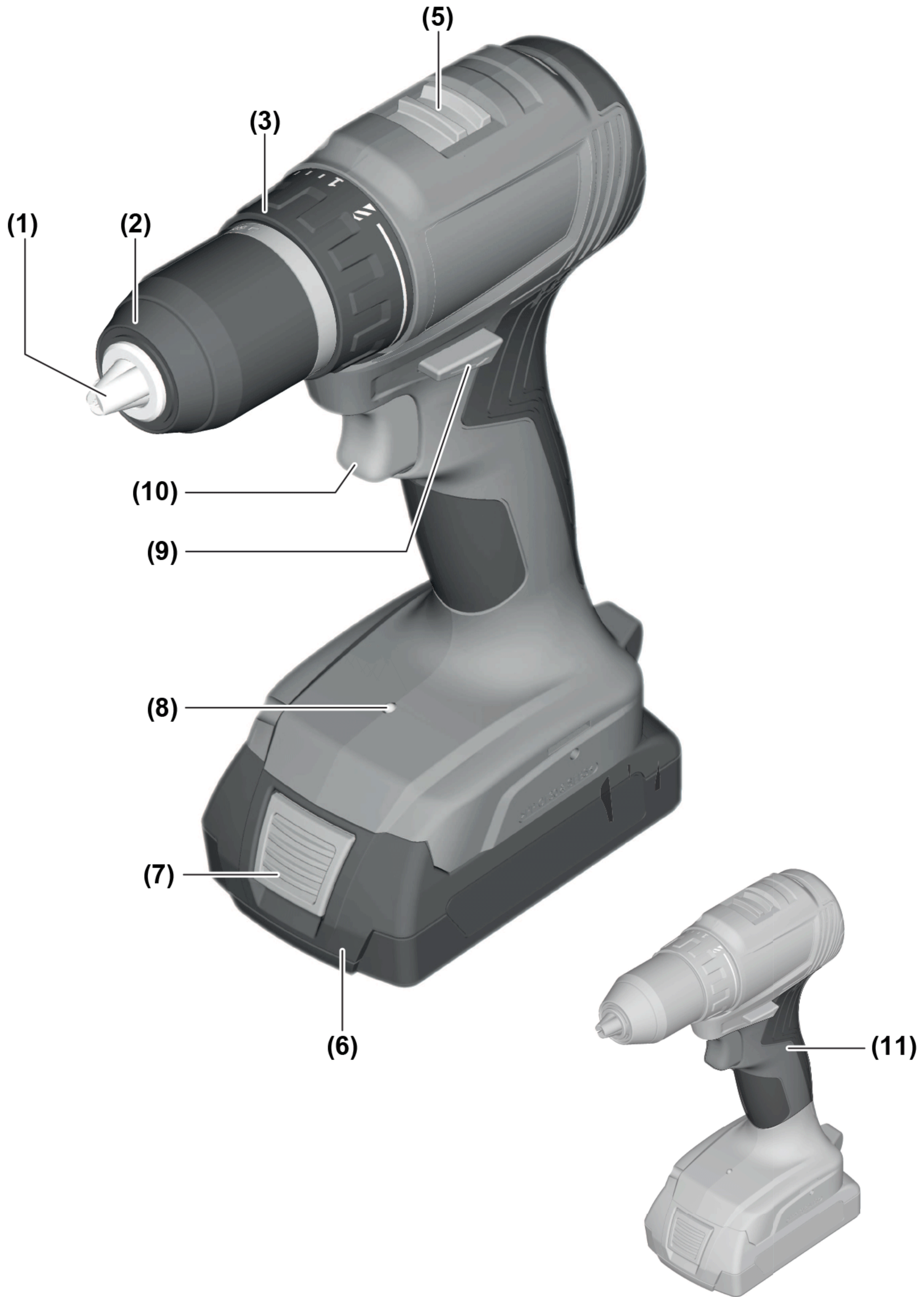
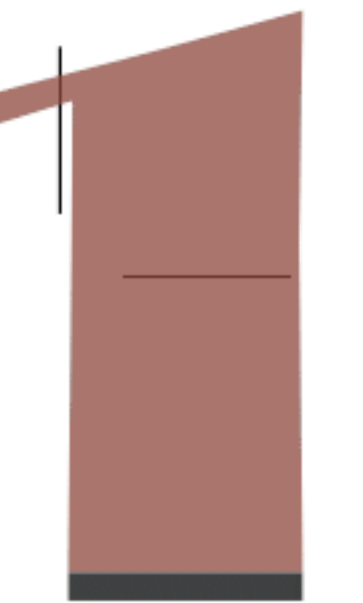


- | | | |
|--|--|---------------------------------|
| de Originalbetriebsanleitung | ru Оригинальное руководство по эксплуатации | lt Originali instrukcija |
| en Original instructions | uk Оригінальна інструкція з експлуатації | ko 사용 설명서 원본 |
| fr Notice originale | kk Пайдалану нұсқаулығының түпнұсқасы | ar دليل التشغيل الأصلي |
| es Manual original | ro Instrucțiuni originale | fa دفترچه راهنمای اصلی |
| pt Manual original | bg Оригинална инструкция | |
| it Istruzioni originali | mk Оригинална упатство за работа | |
| nl Oorspronkelijke gebruiksaanwijzing | sr Originalno uputstvo za rad | |
| da Original brugsanvisning | sl Izvirna navodila | |
| sv Bruksanvisning i original | hr Originalne upute za rad | |
| no Original driftsinstruks | et Algupärane kasutusjuhend | |
| fi Alkuperäiset ohjeet | lv Instrukcijas oriģinālvalodā | |
| el Πρωτότυπο οδηγιών χρήσης | | |
| tr Orijinal işletme talimatı | | |
| pl Instrukcja oryginalna | | |
| cs Původní návod k používání | | |
| sk Pôvodný návod na použitie | | |
| hu Eredeti használati utasítás | | |

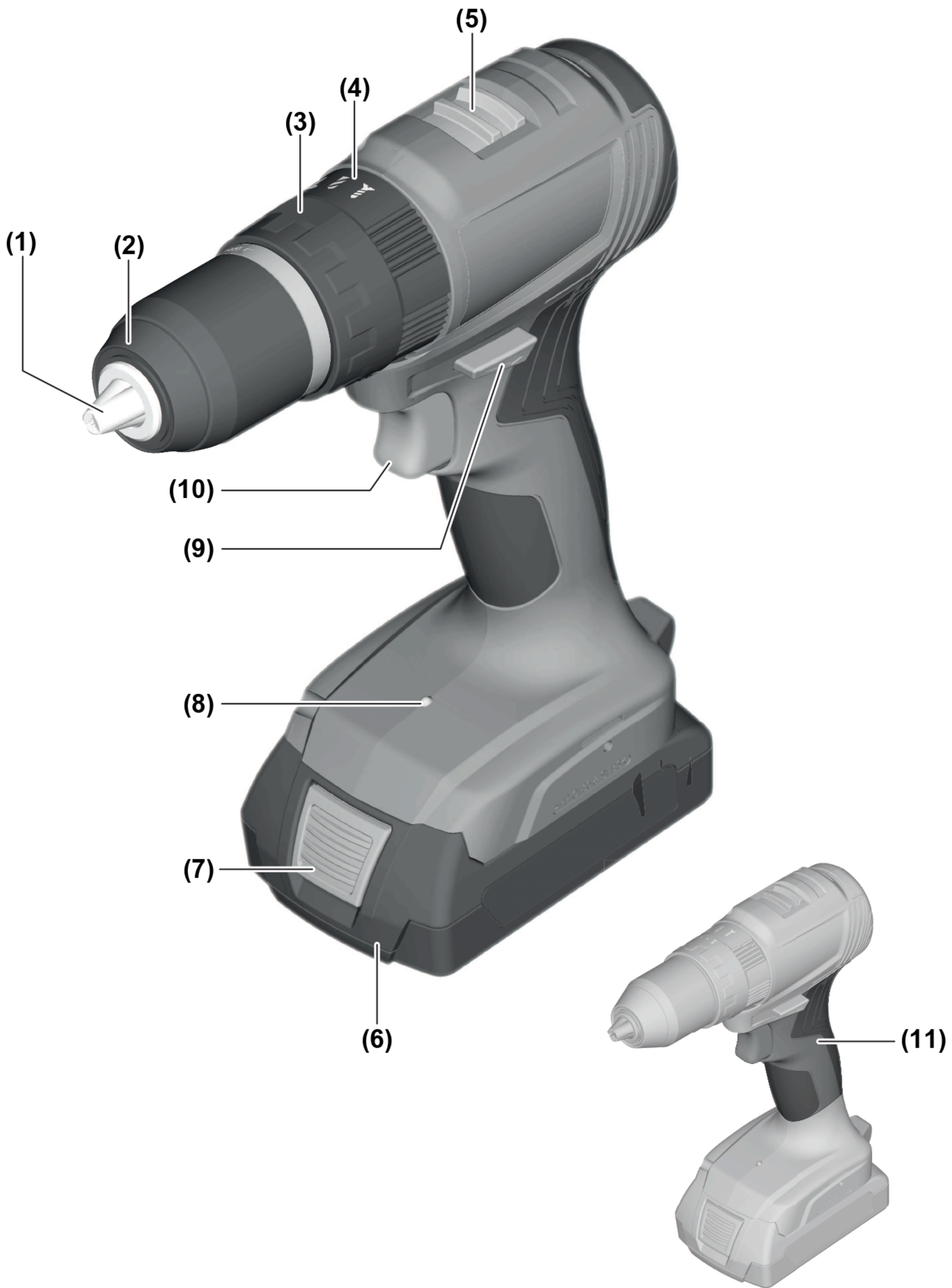
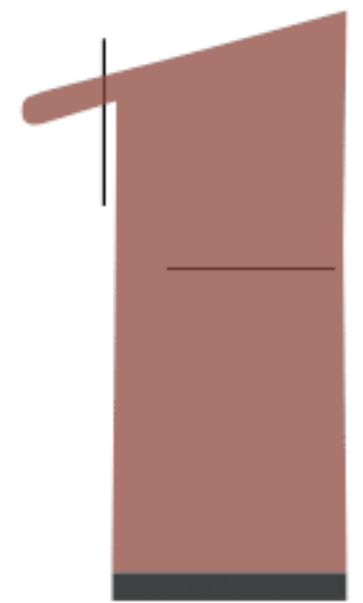


Deutsch	Seite	6
English	Page	13
Français	Page	19
Español	Página	27
Português	Página	34
Italiano	Pagina	41
Nederlands	Pagina	48
Dansk	Side	55
Svensk	Sidan	61
Norsk	Side	68
Suomi	Sivu	74
Ελληνικά	Σελίδα	80
Türkçe	Sayfa	88
Polski	Strona	95
Čeština	Stránka	102
Slovenčina	Stránka	109
Magyar	Oldal	116
Русский	Страница	123
Українська	Сторінка	132
Қазақ	Бет	139
Română	Pagina	148
Български	Страница	156
Македонски	Страница	163
Srpski	Strana	171
Slovenščina	Stran	177
Hrvatski	Stranica	184
Eesti	Lehekülg	190
Latviešu	Lappuse	197
Lietuvių k.	Puslapis	204
한국어	페이지	211
عربي	الصفحة	217
فارسی	صفحه	224

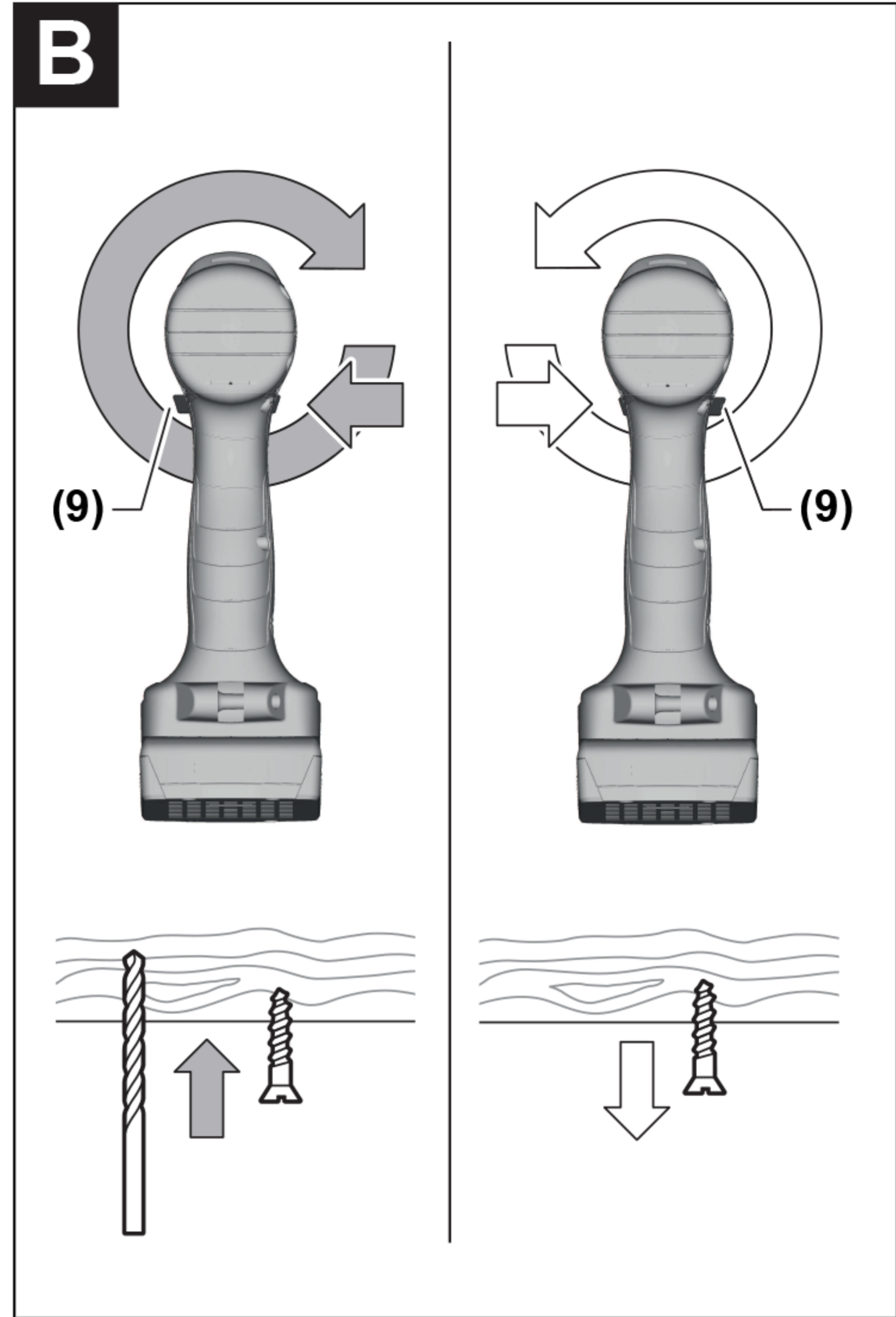
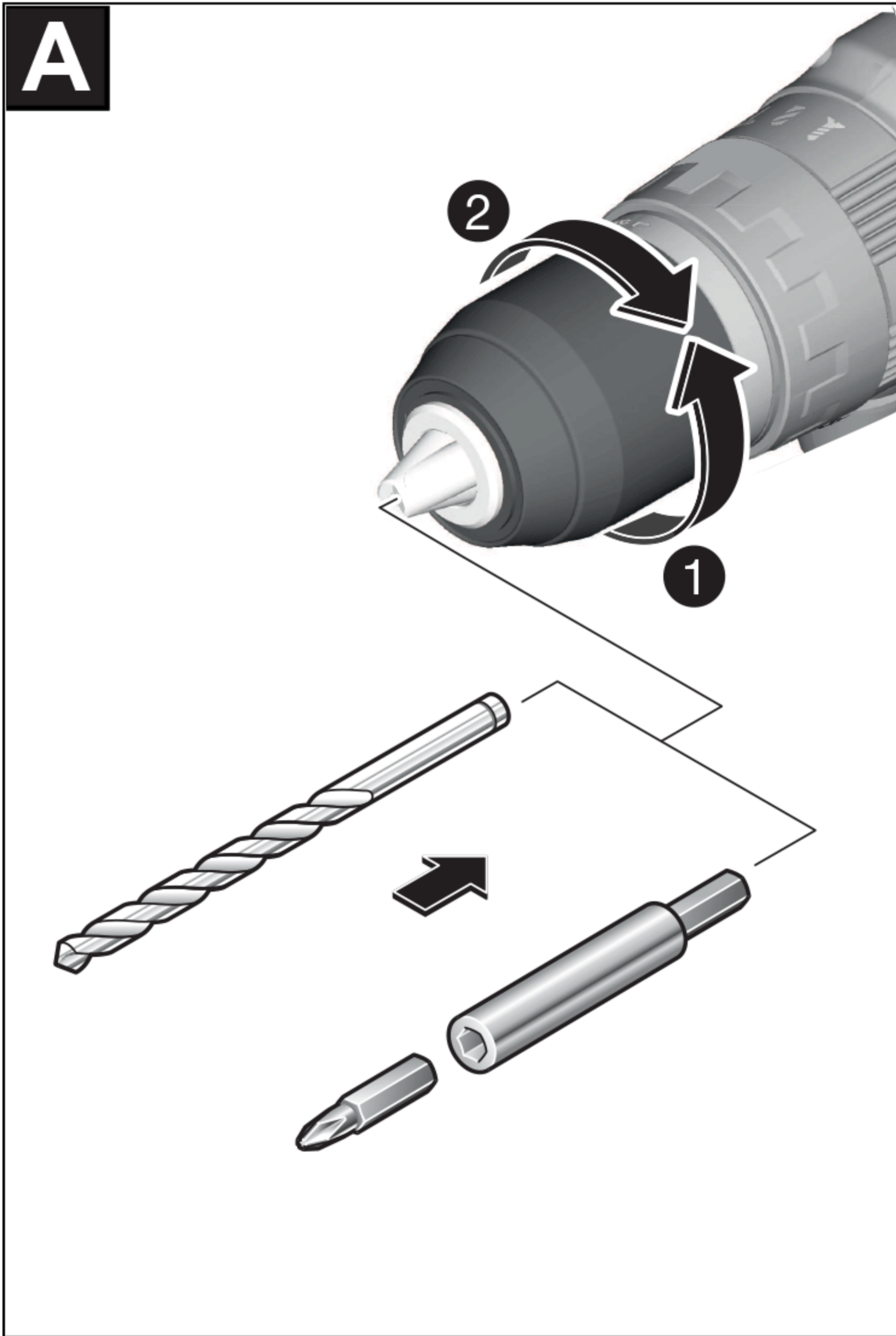
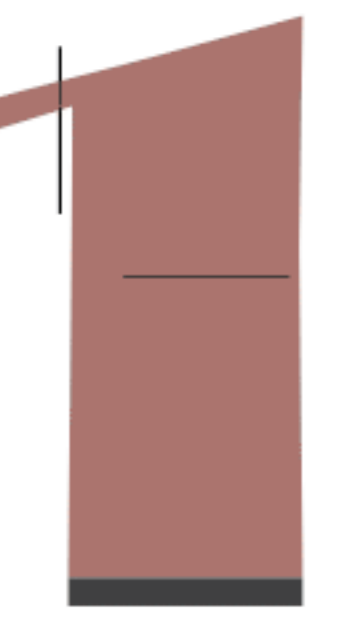
CE / UK CA I/i



GSR 185-LI



GSB 185-LI



tro- und Elektronikgeräte anbieten und auf dem Markt bereitstellen, sind verpflichtet,

1. bei der Abgabe eines neuen Elektro- oder Elektronikgeräts an einen Endnutzer ein Altgerät des Endnutzers der gleichen Geräteart, das im Wesentlichen die gleichen Funktionen wie das neue Gerät erfüllt, am Ort der Abgabe oder in unmittelbarer Nähe hierzu unentgeltlich zurückzunehmen; Ort der Abgabe ist auch der private Haushalt, sofern dort durch Auslieferung die Abgabe erfolgt: In diesem Fall ist die Abholung des Altgeräts für den Endnutzer unentgeltlich; und
2. auf Verlangen des Endnutzers Altgeräte, die in keiner äußeren Abmessung größer als 25 cm sind, im Einzelhandelsgeschäft oder in unmittelbarer Nähe hierzu unentgeltlich zurückzunehmen; die Rücknahme darf nicht an den Kauf eines Elektro- oder Elektronikgerätes geknüpft werden und ist auf drei Altgeräte pro Geräteart beschränkt.

Der Vertreter hat beim Abschluss des Kaufvertrags für das neue Elektro- oder Elektronikgerät den Endnutzer über die Möglichkeit zur unentgeltlichen Rückgabe bzw. Abholung des Altgeräts zu informieren und den Endnutzer nach seiner Absicht zu befragen, ob bei der Auslieferung des neuen Geräts ein Altgerät zurückgegeben wird.

Dies gilt auch bei Vertrieb unter Verwendung von Fernkommunikationsmitteln, wenn die Lager- und Versandflächen für Elektro- und Elektronikgeräte mindestens 400 m² betragen oder die gesamten Lager- und Versandflächen mindestens 800 m² betragen, wobei die unentgeltliche Abholung auf Elektro- und Elektronikgeräte der Kategorien 1 (Wärmeüberträger), 2 (Bildschirmgeräte) und 4 (Großgeräte mit mindestens einer äußeren Abmessung über 50 cm) beschränkt ist. Für alle übrigen Elektro- und Elektronikgeräte muss der Vertreter geeignete Rückgabemöglichkeiten in zumutbarer Entfernung zum jeweiligen Endnutzer gewährleisten; das gilt auch für Altgeräte, die in keiner äußeren Abmessung größer als 25 cm sind, die der Endnutzer zurückgeben will, ohne ein neues Gerät zu kaufen.

Akkus/Batterien:

Li-Ion:

Bitte beachten Sie die Hinweise im Abschnitt Transport (siehe „Transport“, Seite 12).

English

Safety Instructions

General Power Tool Safety Warnings

⚠ WARNING Read all safety warnings, instructions, illustrations and specifications provided with this power tool. Failure to follow all instructions listed below may result in electric shock, fire and/or serious injury.

Save all warnings and instructions for future reference.

The term "power tool" in the warnings refers to your mains-operated (corded) power tool or battery-operated (cordless) power tool.

Work area safety

- ▶ **Keep work area clean and well lit.** Cluttered or dark areas invite accidents.
- ▶ **Do not operate power tools in explosive atmospheres, such as in the presence of flammable liquids, gases or dust.** Power tools create sparks which may ignite the dust or fumes.
- ▶ **Keep children and bystanders away while operating a power tool.** Distractions can cause you to lose control.

Electrical safety

- ▶ **Power tool plugs must match the outlet. Never modify the plug in any way. Do not use any adapter plugs with earthed (grounded) power tools.** Unmodified plugs and matching outlets will reduce risk of electric shock.
- ▶ **Avoid body contact with earthed or grounded surfaces, such as pipes, radiators, ranges and refrigerators.** There is an increased risk of electric shock if your body is earthed or grounded.
- ▶ **Do not expose power tools to rain or wet conditions.** Water entering a power tool will increase the risk of electric shock.
- ▶ **Do not abuse the cord. Never use the cord for carrying, pulling or unplugging the power tool. Keep cord away from heat, oil, sharp edges or moving parts.** Damaged or entangled cords increase the risk of electric shock.
- ▶ **When operating a power tool outdoors, use an extension cord suitable for outdoor use.** Use of a cord suitable for outdoor use reduces the risk of electric shock.
- ▶ **If operating a power tool in a damp location is unavoidable, use a residual current device (RCD) protected supply.** Use of an RCD reduces the risk of electric shock.

Personal safety

- ▶ **Stay alert, watch what you are doing and use common sense when operating a power tool. Do not use a power tool while you are tired or under the influence of drugs, alcohol or medication.** A moment of inattention while operating power tools may result in serious personal injury.
- ▶ **Use personal protective equipment. Always wear eye protection.** Protective equipment such as a dust mask, non-skid safety shoes, hard hat or hearing protection used for appropriate conditions will reduce personal injuries.
- ▶ **Prevent unintentional starting. Ensure the switch is in the off-position before connecting to power source and/or battery pack, picking up or carrying the tool.** Carrying power tools with your finger on the switch or energising power tools that have the switch on invites accidents.

- ▶ **Remove any adjusting key or wrench before turning the power tool on.** A wrench or a key left attached to a rotating part of the power tool may result in personal injury.
- ▶ **Do not overreach. Keep proper footing and balance at all times.** This enables better control of the power tool in unexpected situations.
- ▶ **Dress properly. Do not wear loose clothing or jewellery. Keep your hair and clothing away from moving parts.** Loose clothes, jewellery or long hair can be caught in moving parts.
- ▶ **If devices are provided for the connection of dust extraction and collection facilities, ensure these are connected and properly used.** Use of dust collection can reduce dust-related hazards.
- ▶ **Do not let familiarity gained from frequent use of tools allow you to become complacent and ignore tool safety principles.** A careless action can cause severe injury within a fraction of a second.

Power tool use and care

- ▶ **Do not force the power tool. Use the correct power tool for your application.** The correct power tool will do the job better and safer at the rate for which it was designed.
- ▶ **Do not use the power tool if the switch does not turn it on and off.** Any power tool that cannot be controlled with the switch is dangerous and must be repaired.
- ▶ **Disconnect the plug from the power source and/or remove the battery pack, if detachable, from the power tool before making any adjustments, changing accessories, or storing power tools.** Such preventive safety measures reduce the risk of starting the power tool accidentally.
- ▶ **Store idle power tools out of the reach of children and do not allow persons unfamiliar with the power tool or these instructions to operate the power tool.** Power tools are dangerous in the hands of untrained users.
- ▶ **Maintain power tools and accessories. Check for misalignment or binding of moving parts, breakage of parts and any other condition that may affect the power tool's operation. If damaged, have the power tool repaired before use.** Many accidents are caused by poorly maintained power tools.
- ▶ **Keep cutting tools sharp and clean.** Properly maintained cutting tools with sharp cutting edges are less likely to bind and are easier to control.
- ▶ **Use the power tool, accessories and tool bits etc. in accordance with these instructions, taking into account the working conditions and the work to be performed.** Use of the power tool for operations different from those intended could result in a hazardous situation.
- ▶ **Keep handles and grasping surfaces dry, clean and free from oil and grease.** Slippery handles and grasping surfaces do not allow for safe handling and control of the tool in unexpected situations.

Battery tool use and care

- ▶ **Recharge only with the charger specified by the manufacturer.** A charger that is suitable for one type of battery pack may create a risk of fire when used with another battery pack.
- ▶ **Use power tools only with specifically designated battery packs.** Use of any other battery packs may create a risk of injury and fire.
- ▶ **When battery pack is not in use, keep it away from other metal objects, like paper clips, coins, keys, nails, screws or other small metal objects, that can make a connection from one terminal to another.** Shorting the battery terminals together may cause burns or a fire.
- ▶ **Under abusive conditions, liquid may be ejected from the battery; avoid contact. If contact accidentally occurs, flush with water. If liquid contacts eyes, additionally seek medical help.** Liquid ejected from the battery may cause irritation or burns.
- ▶ **Do not use a battery pack or tool that is damaged or modified.** Damaged or modified batteries may exhibit unpredictable behaviour resulting in fire, explosion or risk of injury.
- ▶ **Do not expose a battery pack or tool to fire or excessive temperature.** Exposure to fire or temperature above 130°C may cause explosion.
- ▶ **Follow all charging instructions and do not charge the battery pack or tool outside the temperature range specified in the instructions.** Charging improperly or at temperatures outside the specified range may damage the battery and increase the risk of fire.

Service

- ▶ **Have your power tool serviced by a qualified repair person using only identical replacement parts.** This will ensure that the safety of the power tool is maintained.
- ▶ **Never service damaged battery packs.** Service of battery packs should only be performed by the manufacturer or authorized service providers.

Safety information for drills and screwdrivers

Safety instructions for all operations

- ▶ **Wear ear protectors when impact drilling.** Exposure to noise can cause hearing loss.
- ▶ **Hold the power tool by insulated gripping surfaces, when performing an operation where the cutting accessory or fasteners may contact hidden wiring.** Cutting accessory or fasteners contacting a "live" wire may make exposed metal parts of the power tool "live" and could give the operator an electric shock.

Safety instructions when using long drill bits

- ▶ **Never operate at higher speed than the maximum speed rating of the drill bit.** At higher speeds, the bit is likely to bend if allowed to rotate freely without contacting the workpiece, resulting in personal injury.

- ▶ **Always start drilling at low speed and with the bit tip in contact with the workpiece.** At higher speeds, the bit is likely to bend if allowed to rotate freely without contacting the workpiece, resulting in personal injury.
- ▶ **Apply pressure only in direct line with the bit and do not apply excessive pressure.** Bits can bend causing breakage or loss of control, resulting in personal injury.

Additional safety warnings

- ▶ **Hold the power tool securely.** When tightening and loosening screws be prepared for temporarily high torque reactions.
- ▶ **Secure the workpiece.** A workpiece clamped with clamping devices or in a vice is held more secure than by hand.
- ▶ **Use suitable detectors to determine if there are hidden supply lines or contact the local utility company for assistance.** Contact with electric cables can cause fire and electric shock. Damaging gas lines can lead to explosion. Breaking water pipes causes property damage.
- ▶ **Always wait until the power tool has come to a complete stop before placing it down.** The application tool can jam and cause you to lose control of the power tool.
- ▶ **In case of damage and improper use of the battery, vapours may be emitted. The battery can set alight or explode.** Ensure the area is well ventilated and seek medical attention should you experience any adverse effects. The vapours may irritate the respiratory system.
- ▶ **Do not open the battery.** There is a risk of short-circuiting.
- ▶ **The battery can be damaged by pointed objects such as nails or screwdrivers or by force applied externally.** An internal short circuit may occur, causing the battery to burn, smoke, explode or overheat.
- ▶ **Only use the battery with products from the manufacturer.** This is the only way in which you can protect the battery against dangerous overload.



Protect the battery against heat, e.g. against continuous intense sunlight, fire, dirt, water and moisture. There is a risk of explosion and short-circuiting.



- ▶ **Switch the power tool off immediately if the application tool becomes blocked. Be prepared for high torque reactions which cause kickback.** The application tool becomes blocked when it becomes jammed in the workpiece or when the power tool becomes overloaded.

Product Description and Specifications



Read all the safety and general instructions.

Failure to observe the safety and general instructions may result in electric shock, fire and/or serious injury.

Please observe the illustrations at the beginning of this operating manual.

Intended use

The power tool is intended for driving and loosening screws and for drilling in wood, metal, ceramic and plastic. The **GSB** cordless combi drill is also designed for impact drilling in brick, masonry and stone.

Product Features

The numbering of the product features refers to the diagram of the power tool on the graphics page.

- (1) Tool holder
- (2) Keyless chuck
- (3) Torque presetting ring
- (4) Operating mode presetting ring (**GSB 185-LI**)
- (5) Gear selector switch
- (6) Rechargeable battery^{a)}
- (7) Battery release button^{a)}
- (8) Worklight (LED)
- (9) Rotational direction switch
- (10) On/off switch
- (11) Handle (insulated gripping surface)

a) **Accessories shown or described are not included with the product as standard. You can find the complete selection of accessories in our accessories range.**

Technical data

Cordless Drill/Driver		GSR 185-LI	GSB 185-LI
Article number		3 601 JK3 0..	3 601 JK3 1..
Rated voltage	V=	18	18
No-load speed ^{A)}			
– First gear	min ⁻¹	0–500	0–500
– Second gear	min ⁻¹	0–1 900	0–1 900
Impact rate ^{A)}	min ⁻¹	–	0–27 000
Max. torque (soft) ^{A)}	Nm	21	21
Max. torque (hard) ^{A)}	Nm	50	50

Cordless Drill/Driver		GSR 185-LI	GSB 185-LI
Max. drilling diameter (1st/2nd gear)			
- Wood	mm	35	35
- Steel	mm	10	10
- Masonry	mm	-	10
Chuck capacity	mm	1.5-13	1.5-13
Max. screw diameter	mm	10	10
Weight according to EPTA-Procedure 01:2014 ^{B)}	kg	1.3-2.3	1.3-2.4
Recommended ambient temperature during charging	°C	0 to +35	0 to +35
Permitted ambient temperature during operation and during storage	°C	-20 to +50	-20 to +50
Recommended rechargeable batteries		GBA 18V... ProCORE18V...	GBA 18V... ProCORE18V...
Recommended chargers		GAL 18... GAX 18... GAL 36...	GAL 18... GAX 18... GAL 36...

A) Measured at 20–25 °C with rechargeable battery **GBA 18V 2.0Ah**.

B) Measured with **GBA 18V 1.5Ah** and **GBA 18V 12Ah**.

Noise/Vibration Information

		GSR 185-LI	GSB 185-LI
Noise emission values determined according to EN 62841-2-1 . The noise level when working can exceed the volume stated.			
Typically, the A-weighted noise level of the power tool is			
Sound pressure level	dB(A)	72	86
Sound power level	dB(A)	83	97
Uncertainty K	dB	5	5
Wear hearing protection!			
Vibration total values a_h (triax vector sum) and uncertainty K determined according to EN 62841-2-1 :			
Drilling			
a_h	m/s^2	< 2.5	< 2.5
K	m/s^2	1.5	1.5
Impact drilling			
a_h	m/s^2	-	12.2
K	m/s^2	-	1.5

The vibration level and noise emission value given in these instructions have been measured in accordance with a standardised measuring procedure and may be used to compare power tools. They may also be used for a preliminary estimation of vibration and noise emissions.

The stated vibration level and noise emission value represent the main applications of the power tool. However, if the power tool is used for other applications, with different application tools or is poorly maintained, the vibration level and noise emission value may differ. This may significantly

increase the vibration and noise emissions over the total working period.

To estimate vibration and noise emissions accurately, the times when the tool is switched off or when it is running but not actually being used should also be taken into account. This may significantly reduce vibration and noise emissions over the total working period.

Implement additional safety measures to protect the operator from the effects of vibration, such as servicing the power tool and application tools, keeping their hands warm, and organising workflows correctly.

Assembly

- **Remove the battery from the power tool before carrying out work on the power tool (e.g. maintenance, changing tool, etc.). The battery should also be removed for transport and storage.** There is risk of injury from unintentionally pressing the on/off switch.

Charging the Battery

- **Use only the chargers listed in the technical data.** Only these chargers are matched to the lithium-ion battery of your power tool.

Note: The battery is supplied partially charged. To ensure full battery capacity, fully charge the battery in the charger before using your power tool for the first time.

The lithium-ion battery can be charged at any time without reducing its service life. Interrupting the charging process does not damage the battery.

The lithium-ion battery is protected against deep discharge by the "Electronic Cell Protection (ECP)". When the battery is discharged, the power tool is switched off by means of a protective circuit: The application tool no longer rotates.

Follow the instructions on correct disposal.

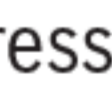

Removing the Battery

The battery (6) is equipped with two locking levels to prevent the battery from falling out when pushing the battery release button (7) unintentionally. As long as the battery is inserted in the power tool, it is held in position by means of a spring.

To remove the battery (6), press the release button (7) and pull the battery out of the power tool. **Do not use force to do this.**

Battery charge indicator

The green LEDs on the battery charge indicator indicate the state of charge of the battery. For safety reasons, it is only possible to check the state of charge when the power tool is not in operation.

Press the button for the battery charge indicator  or  to show the state of charge. This is also possible when the battery is removed.

If no LED lights up after pressing the button for the battery charge indicator, then the battery is defective and must be replaced.

Battery model GBA 18V...



LEDs	Capacity
3× continuous green light	60–100 %
2× continuous green light	30–60 %
1× continuous green light	5–30 %
1× flashing green light	0–5 %

Battery model ProCORE18V...



LEDs	Capacity
5× continuous green light	80–100 %
4× continuous green light	60–80 %
3× continuous green light	40–60 %
2× continuous green light	20–40 %
1× continuous green light	5–20 %
1× flashing green light	0–5 %

Changing the tool (see figure A)

- **Remove the battery from the power tool before carrying out work on the power tool (e.g. maintenance, changing tool, etc.). The battery should also be removed for transport and storage.** There is risk of injury from unintentionally pressing the on/off switch.

The drill spindle is locked when the on/off switch (10) is not pressed. This makes it possible to change the application tool in the drill chuck quickly, conveniently and easily.

Open the keyless chuck (2) by turning it in the direction of rotation ① until the tool can be inserted. Insert the tool.

Firmly tighten the keyless chuck (2) by turning it by hand in the direction of rotation ②. This will automatically lock the drill chuck.

Dust/Chip Extraction

Dust from materials such as lead-containing coatings, some wood types, minerals and metal can be harmful to one's health. Touching or breathing-in the dust can cause allergic reactions and/or lead to respiratory infections of the user or bystanders.

Certain dust, such as oak or beech dust, is considered carcinogenic, especially in connection with wood-treatment additives (chromate, wood preservative). Materials containing asbestos may only be worked by specialists.

- Provide for good ventilation of the working place.
- It is recommended to wear a P2 filter-class respirator.

Observe the relevant regulations in your country for the materials to be worked.

- **Avoid dust accumulation at the workplace.** Dust can easily ignite.

Operation

Starting Operation

Inserting the battery

Note: The use of batteries unsuitable for your power tool can lead to malfunctions or damage to the power tool.

Push the charged battery (6) into the base of the power tool from the front until the battery is securely locked.

Setting the rotational direction (see figure B)

- ▶ **Only operate the rotational direction switch (9) when the power tool is not in use.**

The rotational direction switch (9) is used to change the rotational direction of the power tool. However, this is not possible while the on/off switch (10) is being pressed.

Right rotation: To drill and to drive in screws, press the rotational direction switch (9) through to the left stop.

Left Rotation: To loosen and unscrew screws and nuts, press the rotational direction switch (9) through to the right stop.

Setting the operating mode**Drilling****GSR 185-LI**

Set the torque presetting ring (3) to the "drilling" symbol.

GSB 185-LI

Set the operating mode presetting ring (4) to the "drilling" symbol.

Screwdriving**GSR 185-LI**

Set the torque presetting ring (3) to the required torque.

GSB 185-LI

Set the operating mode presetting ring (4) to the "screwdriving" symbol.
Set the torque presetting ring (3) to the required torque.

Impact drilling**GSB 185-LI**

Set the operating mode presetting ring (4) to the "impact drilling" symbol.

Switching on/off

To **start** the power tool, press and hold the on/off switch (10).

The LED (8) lights up when the on/off switch (10) is lightly or fully pressed, meaning that the work area is illuminated in poor lighting conditions.

To **switch off** the power tool, release the on/off switch (10).

LED worklight with status indicator

The LED worklight (8) is used as a status indicator for device protection and low battery status:

LED Feedback	Description
Flashing light 3x during operation	Battery status is low. The voltage level of the battery has fallen below the optimum value. The performance of the device is restricted.
Flashing light 3x during downtime	Device protection is active. Device protection has been activated to

LED Feedback	Description
	prevent the battery from consuming a large amount of power and to protect the device against damage.

- If the battery status is low, charge the battery (6) or replace the weak battery with a fully charged battery.

Adjusting the speed

You can adjust the speed of the power tool when it is on by pressing in the on/off switch (10) to varying extents.

A light pressure on the on/off switch (10) results in a low rotational speed. Increased pressure on the switch causes an increase in speed.

Preselecting torque (applies to screwdriving mode)

The torque presetting ring (3) can be used to pre-select the required torque in 20 stages. Once the set torque has been reached, the rotating motion of the application tool will be stopped.

Mechanical gear selection

- ▶ **Only operate the gear selector (5) when the power tool is not in use.**

First gear:

Low speed range; for working with a large drilling diameter or for screwdriving.

Second gear:

High speed range; for working with a small drilling diameter.

- ▶ **Always push the gear selector switch as far as it will go.** Otherwise, the power tool may become damaged.

Temperature-dependent overload protection

When used as intended, the power tool cannot be overloaded. In the event of overloading or the temperature rising outside the permitted operating temperature range, the speed will be reduced. The power tool will not run at full speed again until the permitted operating temperature has been reached.

Fully automatic spindle lock (Auto-Lock)

The drill spindle, and therefore the tool holder (1), are locked when the on/off switch (10) is not pressed.

This enables screws to be screwed in even when the battery (6) is empty and allows the power tool to be used as a screwdriver.

Practical advice

- ▶ **Only apply the power tool to the screw when the tool is switched off.** Rotating application tools can slip off.

Before screwing larger, longer screws into hard materials, it is advisable to pre-drill a pilot hole with the core diameter of the thread to approx. 2/3 of the screw length.

An auxiliary tool can be used to remove the screwdriver bit or universal bit holder.

Belt clip (accessory)

You can use the belt clip to hang the power tool on a belt, for example. You then have both hands free and the power tool is always at hand.

The accessory described here is not included with the product as standard.

Maintenance and Service

Maintenance and Cleaning

- ▶ **Remove the battery from the power tool before carrying out work on the power tool (e.g. maintenance, changing tool, etc.). The battery should also be removed for transport and storage.** There is risk of injury from unintentionally pressing the on/off switch.
- ▶ **To ensure safe and efficient operation, always keep the power tool and the ventilation slots clean.**

After-Sales Service and Application Service

Our after-sales service responds to your questions concerning maintenance and repair of your product as well as spare parts. You can find explosion drawings and information on spare parts at: www.bosch-pt.com

The Bosch product use advice team will be happy to help you with any questions about our products and their accessories.

In all correspondence and spare parts orders, please always include the 10-digit article number given on the nameplate of the product.

Great Britain

Robert Bosch Ltd. (B.S.C.)

P.O. Box 98

Broadwater Park

North Orbital Road

Denham Uxbridge

UB 9 5HJ

At www.bosch-pt.co.uk you can order spare parts or arrange the collection of a product in need of servicing or repair.

Tel. Service: (0344) 7360109

E-Mail: boschservicecentre@bosch.com

You can find further service addresses at:

www.bosch-pt.com/serviceaddresses

Transport

The recommended lithium-ion batteries are subject to legislation on the transport of dangerous goods. The user can transport the batteries by road without further requirements.

When shipping by third parties (e.g.: by air transport or forwarding agency), special requirements on packaging and labelling must be observed. For preparation of the item being shipped, consulting an expert for hazardous material is required.

Dispatch battery packs only when the housing is undamaged. Tape or mask off open contacts and pack up the battery in such a manner that it cannot move around in the

packaging. Please also observe the possibility of more detailed national regulations.

Disposal



Power tools, rechargeable batteries, accessories and packaging should be sorted for environmental-friendly recycling.



Do not dispose of power tools and batteries/rechargeable batteries into household waste!

Only for EU countries:

According to the Directive 2012/19/EU on waste electrical and electronic equipment and its transposition into national law, power tools that are no longer usable, and, according to the Directive 2006/66/EC, defective or drained batteries must be collected separately and disposed of in an environmentally correct manner.

If disposed incorrectly, waste electrical and electronic equipment may have harmful effects on the environment and human health, due to the potential presence of hazardous substances.

Only for United Kingdom:

According to The Waste Electrical and Electronic Equipment Regulations 2013 (SI 2013/3113) (as amended) and the Waste Batteries and Accumulators Regulations 2009 (SI 2009/890) (as amended), products that are no longer usable must be collected separately and disposed of in an environmentally friendly manner.

Battery packs/batteries:

Li-ion:

Please observe the notes in the section on transport (see "Transport", page 19).

Français

Consignes de sécurité

Avertissements de sécurité généraux pour l'outil électrique

⚠ AVERTISSEMENT

Lire tous les avertissements de sécurité, les instructions, les illustrations et les spécifications fournis avec cet outil électrique.

Ne pas suivre les instructions énumérées ci-dessous peut provoquer un choc électrique, un incendie et/ou une blessure sérieuse.

Conserver tous les avertissements et toutes les instructions pour pouvoir s'y reporter ultérieurement.

Le terme "outil électrique" dans les avertissements fait référence à votre outil électrique alimenté par le secteur (avec

Csak az EU-tagországok számára:

Az elektromos és elektronikus berendezések hulladékairól szóló 2012/19/EU európai irányelvnek és a nemzeti jogba való átültetésének megfelelően a már nem használható elektromos kéziszerszámokat és a 2006/66/EK európai irányelvnek megfelelően a már nem használható akkumulátorokat/ elemeket külön össze kell gyűjteni és a környezetvédelmi szempontoknak megfelelően kell újrafelhasználásra leadni. Szakszerűtlen ártalmatlanítás esetén a már használhatatlan elektromos és elektronikus készülékek a bennük esetleg található veszélyes anyagok következtében káros hatással lehetnek a környezetre és az emberek egészségére.

Akkumulátorok/elemek:**Li-ion:**

Kérjük vegye figyelembe a Szállítás fejezetben található tájékoztatást (lásd „Szállítás”, Oldal 122).

Русский

Только для стран Евразийского экономического союза (Таможенного союза)

В состав эксплуатационных документов, предусмотренных изготовителем для продукции, могут входить настоящее руководство по эксплуатации, а также приложения. Информация о подтверждении соответствия содержится в приложении.

Информация о стране происхождения указана на корпусе изделия и в приложении.

Дата изготовления указана на последней странице обложки Руководства.

Контактная информация относительно импортера содержится на упаковке.

Срок службы изделия

Срок службы изделия составляет 7 лет. Не рекомендуется к эксплуатации по истечении 5 лет хранения с даты изготовления без предварительной проверки (дату изготовления см. на этикетке).

Указанный срок службы действителен при соблюдении потребителем требований настоящего руководства.

Перечень критических отказов

- не использовать при сильном искрении
- не использовать при появлении сильной вибрации
- не использовать с перебитым или оголённым электрическим кабелем
- не использовать при появлении дыма непосредственно из корпуса изделия

Возможные ошибочные действия персонала

- не использовать с повреждённой рукояткой или повреждённым защитным кожухом

- не использовать на открытом пространстве во время дождя
- не включать при попадании воды в корпус

Критерии предельных состояний

- перетёрт или повреждён электрический кабель
- повреждён корпус изделия

Тип и периодичность технического обслуживания

- Рекомендуется очистить инструмент от пыли после каждого использования.

Хранение

- необходимо хранить в сухом месте
- необходимо хранить вдали от источников повышенных температур и воздействия солнечных лучей
- при хранении необходимо избегать резкого перепада температур
- хранение без упаковки не допускается
- подробные требования к условиям хранения смотрите в ГОСТ 15150-69 (Условие 1)
- Хранить в упаковке предприятия – изготовителя в складских помещениях при температуре окружающей среды от +5 до +40 °С. Относительная влажность воздуха не должна превышать 80 %.

Транспортировка

- категорически не допускается падение и любые механические воздействия на упаковку при транспортировке
- при разгрузке/погрузке не допускается использование любого вида техники, работающей по принципу зажима упаковки
- подробные требования к условиям транспортировки смотрите в ГОСТ 15150-69 (Условие 5)
- Транспортировать при температуре окружающей среды от –50 °С до +50 °С. Относительная влажность воздуха не должна превышать 100 %.

Указания по технике безопасности

Общие указания по технике безопасности для электроинструментов

⚠ ПРЕДУПРЕЖДЕНИЕ Прочитайте все указания по технике безопасности, инструкции, иллюстрации и спецификации, предоставленные вместе с настоящим электроинструментом. Несоблюдение каких-либо из указанных ниже инструкций может стать причиной поражения электрическим током, пожара и/или тяжелых травм.

Сохраняйте эти инструкции и указания для будущего использования.

Использованное в настоящих инструкциях и указаниях понятие «электроинструмент» распространяется на электроинструмент с питанием от сети (с сетевым шнуром) и на аккумуляторный электроинструмент (без сетевого шнура).

Безопасность рабочего места

- ▶ **Содержите рабочее место в чистоте и хорошо освещенным.** Беспорядок или неосвещенные участки рабочего места могут привести к несчастным случаям.
- ▶ **Не работайте с электроинструментами во взрывоопасной атмосфере, напр., содержащей горючие жидкости, воспламеняющиеся газы или пыль.** Электроинструменты искрят, что может привести к воспламенению пыли или паров.
- ▶ **Во время работы с электроинструментом не допускайте близко к Вашему рабочему месту детей и посторонних лиц.** Отвлечшись, Вы можете потерять контроль над электроинструментом.
- ▶ Оборудование предназначено для работы в бытовых условиях, коммерческих зонах и общественных местах, производственных зонах с малым электропотреблением, без воздействия вредных и опасных производственных факторов. Оборудование предназначено для эксплуатации без постоянного присутствия обсуживающего персонала.

Электробезопасность

- ▶ **Штепсельная вилка электроинструмента должна подходить к штепсельной розетке. Ни в коем случае не вносите изменения в штепсельную вилку. Не применяйте переходные штекеры для электроинструментов с защитным заземлением.** Неизменные штепсельные вилки и подходящие штепсельные розетки снижают риск поражения электротоком.
- ▶ **Предотвращайте телесный контакт с заземленными поверхностями, как то: с трубами, элементами отопления, кухонными плитами и холодильниками.** При заземлении Вашего тела повышается риск поражения электротоком.
- ▶ **Защищайте электроинструмент от дождя и сырости.** Проникновение воды в электроинструмент повышает риск поражения электротоком.
- ▶ **Не разрешается использовать шнур не по назначению. Никогда не используйте шнур для транспортировки или подвески электроинструмента, или для извлечения вилки из штепсельной розетки. Защищайте шнур от воздействия высоких температур, масла, острых кромок или подвижных частей электроинструмента.** Поврежденный или спутанный шнур повышает риск поражения электротоком.
- ▶ **При работе с электроинструментом под открытым небом применяйте пригодные для этого кабели-удлинители.** Применение пригодного для работы под открытым небом кабеля-удлинителя снижает риск поражения электротоком.
- ▶ **Если невозможно избежать применения электроинструмента в сыром помещении, подключайте электроинструмент через устройство защитного отключения.** Применение устройства защитного отключения снижает риск электрического поражения.

Безопасность людей

- ▶ **Будьте внимательны, следите за тем, что делаете, и продуманно начинайте работу с электроинструментом. Не пользуйтесь электроинструментом в усталом состоянии или под воздействием наркотиков, алкоголя или лекарственных средств.** Один момент невнимательности при работе с электроинструментом может привести к серьезным травмам.
- ▶ **Применяйте средства индивидуальной защиты. Всегда носите защитные очки.** Использование средств индивидуальной защиты, как то: защитной маски, обуви на нескользящей подошве, защитного шлема или средств защиты органов слуха, в зависимости от вида работы с электроинструментом снижает риск получения травм.
- ▶ **Предотвращайте непреднамеренное включение электроинструмента. Перед тем как подключить электроинструмент к сети и/или к аккумулятору, поднять или переносить электроинструмент, убедитесь, что он выключен.** Удержание пальца на выключателе при транспортировке электроинструмента и подключение к сети питания включенного электроинструмента чревато несчастными случаями.
- ▶ **Убирайте установочный инструмент или гаечные ключи до включения электроинструмента.** Инструмент или ключ, находящийся во вращающейся части электроинструмента, может привести к травмам.
- ▶ **Не принимайте неестественное положение корпуса тела. Всегда занимайте устойчивое положение и сохраняйте равновесие.** Благодаря этому Вы можете лучше контролировать электроинструмент в неожиданных ситуациях.
- ▶ **Носите подходящую рабочую одежду. Не носите широкую одежду и украшения. Держите волосы и одежду вдали от подвижных деталей.** Широкая одежда, украшения или длинные волосы могут быть затянуты вращающимися частями.
- ▶ **При наличии возможности установки пылеотсасывающих и пылесборных устройств проверяйте их присоединение и правильное использование.** Применение пылеотсоса может снизить опасность, создаваемую пылью.
- ▶ **Хорошее знание электроинструментов, полученное в результате частого их использования, не должно приводить к самоуверенности и игнорированию техники безопасности обращения с электроинструментами.** Одно небрежное действие за долю секунды может привести к серьезным травмам.
- ▶ **ВНИМАНИЕ!** В случае возникновения перебоя в работе электроинструмента вследствие полного или частичного прекращения энергоснабжения или повреждения цепи управления энергоснабжением установите выключатель в положение Выкл., убедившись, что он не заблокирован (при его наличии). Отключите сетевую вилку от розетки или отсоедините съёмный аккумулятор. Этим предотвращается неконтролируемый повторный запуск.

- ▶ Квалифицированный персонал в соответствии с настоящим руководством подразумевает лиц, которые знакомы с регулировкой, монтажом, вводом эксплуатации обслуживанием электроинструмента.
- ▶ К работе с электроинструментом допускаются лица не моложе 18 лет, изучившие техническое описание, инструкцию по эксплуатации и правила безопасности.
- ▶ Изделие не предназначено для использования лицами (включая детей) с пониженными физическими, чувственными или умственными способностями или при отсутствии у них жизненного опыта или знаний, если они не находятся под контролем или не проинструктированы об использовании электроинструмента лицом, ответственным за их безопасность.

Применение электроинструмента и обращение с ним

- ▶ **Не перегружайте электроинструмент. Используйте для работы соответствующий специальный электроинструмент.** С подходящим электроинструментом Вы работаете лучше и надежнее в указанном диапазоне мощности.
- ▶ **Не работайте с электроинструментом при неисправном выключателе.** Электроинструмент, который не поддается включению или выключению, опасен и должен быть отремонтирован.
- ▶ **Перед тем как настраивать электроинструмент, заменять принадлежности или убирать электроинструмент на хранение, отключите штепсельную вилку от розетки сети и/или выньте, если это возможно, аккумулятор.** Эта мера предосторожности предотвращает непреднамеренное включение электроинструмента.
- ▶ **Храните электроинструменты в недоступном для детей месте. Не разрешайте пользоваться электроинструментом лицам, которые не знакомы с ним или не читали настоящих инструкций.** Электроинструменты опасны в руках неопытных лиц.
- ▶ **Тщательно ухаживайте за электроинструментом и принадлежностями. Проверяйте безупречную функцию и ход движущихся частей электроинструмента, отсутствие поломок или повреждений, отрицательно влияющих на функцию электроинструмента. Поврежденные части должны быть отремонтированы до использования электроинструмента.** Плохое обслуживание электроинструментов является причиной большого числа несчастных случаев.
- ▶ **Держите режущий инструмент в заточенном и чистом состоянии.** Заботливо ухоженные режущие инструменты с острыми режущими кромками режут легче и их легче вести.
- ▶ **Применяйте электроинструмент, принадлежности, рабочие инструменты и т. п. в соответствии с настоящими инструкциями. Учитывайте при этом рабочие условия и выполняемую работу.** Использование электроинструментов для непредусмотренных работ может привести к опасным ситуациям.

- ▶ **Держите ручки и поверхности захвата сухими и чистыми, следите чтобы на них не было жидкой или консистентной смазки.** Скользкие ручки и поверхности захвата препятствуют безопасному обращению с инструментом и не дают надежно контролировать его в непредвиденных ситуациях.

Применение и обслуживание аккумуляторного инструмента

- ▶ **Заряжайте аккумуляторы только в зарядных устройствах, рекомендуемых изготовителем.** Зарядное устройство, предусмотренное для определенного вида аккумуляторов, может привести к пожарной опасности при использовании его с другими аккумуляторами.
- ▶ **Применяйте в электроинструментах только предусмотренные для этого аккумуляторы.** Использование других аккумуляторов может привести к травмам и пожарной опасности.
- ▶ **Защищайте неиспользуемый аккумулятор от канцелярских скрепок, монет, ключей, гвоздей, винтов и других маленьких металлических предметов, которые могут замкнуть полюса.** Короткое замыкание полюсов аккумулятора может привести к ожогам или пожару.
- ▶ **При неправильном использовании из аккумулятора может потечь жидкость. Избегайте соприкосновения с ней. При случайном контакте промойте соответствующее место водой. Если эта жидкость попадет в глаза, то дополнительно обратитесь к врачу.** Вытекающая аккумуляторная жидкость может привести к раздражению кожи или к ожогам.
- ▶ **Не используйте поврежденные или измененные аккумуляторы или инструменты.** Поврежденные или измененные аккумуляторы могут повести себя непредсказуемо, что может привести к возгоранию, взрыву или риску получения травмы.
- ▶ **Не кладите аккумулятор или инструмент в огонь и не подвергайте их воздействию высоких температур.** Огонь или температура выше 130 °C могут привести к взрыву.
- ▶ **Выполняйте все инструкции по зарядке и не заряжайте аккумулятор или инструмент при температуре, выходящей за указанный в инструкции диапазон.** Неправильная зарядка или зарядка при температурах, выходящих за указанный диапазон, могут повредить батарею и повысить риск возгорания.

Сервис

- ▶ **Ремонт электроинструмента должен выполняться только квалифицированным персоналом и только с применением оригинальных запасных частей.** Этим обеспечивается безопасность электроинструмента.
- ▶ **Никогда не обслуживайте поврежденные аккумуляторы.** Обслуживать аккумуляторы разрешается только производителю или авторизованной сервисной организации.

Указания по технике безопасности для электродрелей и шуруповертов

Указания по технике безопасности для всех операций

- ▶ При ударном сверлении применяйте средства защиты органов слуха. Шум может привести к потере слуха.
- ▶ При выполнении работ, при которых рабочий инструмент или шурупы могут задеть скрытую электропроводку, держите инструмент за изолированные поверхности. Контакт рабочего инструмента или шурупов с находящейся под напряжением проводкой может зарядить металлические части электроинструмента и привести к поражению электрическим током.

Указания по технике безопасности для работе с длинными бит-насадками

- ▶ **Никогда не работайте со скоростью, превышающей максимальную номинальную скорость бит-насадки.** При высокой скорости бит-насадки могут изгибаться, если они вращаются свободно без контакта с заготовкой, что может привести к телесным повреждениям.
- ▶ **Всегда начинайте сверлить на низкой скорости, кончик бит-насадки должен касаться заготовки.** При высокой скорости бит-насадки могут изгибаться, если они вращаются свободно без контакта с заготовкой, что может привести к телесным повреждениям.
- ▶ **Нажимайте только по прямой к бит-насадке и не нажимайте излишне.** Бит-насадки могут изгибаться и в результате ломаться или приводить к потере контроля и вследствие этого к телесным повреждениям.

Дополнительные указания по технике безопасности

- ▶ **Крепко держите электроинструмент.** При затягивании и отпуске винтов/шурупов могут возникать кратковременные высокие реакционные моменты.
- ▶ **Закрепляйте заготовку.** Заготовка, установленная в зажимное приспособление или в тиски, удерживается более надежно, чем в Вашей руке.
- ▶ **Используйте соответствующие металлоискатели для нахождения скрытых в стене труб или проводки или обращайтесь за справкой в местное коммунальное предприятие.** Контакт с электропроводкой может привести к пожару и поражению электроток. Повреждение газопровода может привести к взрыву. Повреждение водопровода ведет к нанесению материального ущерба.
- ▶ **Выждите полной остановки электроинструмента и только после этого выпускайте его из рук.** Рабочий инструмент может заесть, и это может привести к потере контроля над электроинструментом.
- ▶ **При повреждении и ненадлежащем использовании аккумулятора может выделяться газ. Аккумулятор может возгораться или взрываться.** Обеспечьте приток свежего воздуха и при возникновении жалоб обра-

титесь к врачу. Газы могут вызвать раздражение дыхательных путей.

- ▶ **Не вскрывайте аккумулятор.** При этом возникает опасность короткого замыкания.
- ▶ **Острыми предметами, как напр., гвоздем или отверткой, а также внешним силовым воздействием можно повредить аккумуляторную батарею.** Это может привести к внутреннему короткому замыканию, возгоранию с задымлением, взрыву или перегреву аккумуляторной батареи.
- ▶ **Используйте аккумуляторную батарею только в изделиях изготовителя.** Только так аккумулятор защищен от опасной перегрузки.



Защищайте аккумуляторную батарею от высоких температур, напр., от длительного нагревания на солнце, от огня, грязи, воды и влаги. Существует опасность взрыва и короткого замыкания.

- ▶ **Немедленно выключите электроинструмент, если рабочий инструмент заклинило. Будьте готовы к высоким реактивным моментам, которые приводят к отдаче.** Рабочий инструмент заклинивает при перегрузке электроинструмента или застревании инструмента в обрабатываемой заготовке.

Описание продукта и услуг



Прочтите все указания и инструкции по технике безопасности. Несоблюдение указаний по технике безопасности и инструкций может привести к поражению электрическим током, пожару и/или тяжелым травмам.

Пожалуйста, соблюдайте иллюстрации в начале руководства по эксплуатации.

Применение по назначению

Электроинструмент предназначен для ввинчивания и вывинчивания винтов, а также для сверления в древесине, металле, керамике и пластмассе. Кроме того, аккумуляторный шуруповерт ударного действия **GSB** предназначен для ударного сверления в кирпиче, каменной кладке и камне.

Изображенные составные части

Нумерация представленных компонентов выполнена по изображению на странице с иллюстрациями.

- (1) Патрон
- (2) Быстрозажимной сверлильный патрон
- (3) Установочное кольцо крутящего момента
- (4) Установочное кольцо режима работы (**GSB 185-LI**)
- (5) Переключатель передач
- (6) Аккумулятор^{a)}
- (7) Кнопка разблокировки аккумулятора^{a)}

- (8) Подсветка (светодиод)
 (9) Переключатель направления вращения
 (10) Выключатель

- (11) Рукоятка (с изолированной поверхностью)
 а) Изображенные или описанные принадлежности не входят в стандартный объем поставки. Полный ассортимент принадлежностей см. в нашей программе принадлежностей.

Технические данные

Дрель-шуруповерт		GSR 185-LI	GSB 185-LI
Товарный номер		3 601 JK3 0..	3 601 JK3 1..
Номинальное напряжение	V=	18	18
Число оборотов холостого хода ^{A)}			
- 1-я передача	об/мин	0-500	0-500
- 2-я передача	об/мин	0-1900	0-1900
Число ударов ^{A)}	об/мин	-	0-27000
Макс. крутящий момент (мягк.) ^{A)}	Н·м	21	21
Макс. крутящий момент (твёрд.) ^{A)}	Н·м	50	50
Макс. Ø сверления (1-я/2-я передача)			
- Древесина	мм	35	35
- Сталь	мм	10	10
- Кирпичная кладка	мм	-	10
Диапазон зажима сверлильного патрона	мм	1,5-13	1,5-13
Макс. Ø шурупов	мм	10	10
Масса согласно ЕРТА-Procedure 01:2014 ^{B)}	кг	1,3-2,3	1,3-2,4
Рекомендуемая температура внешней среды во время зарядки	°C	0 ... +35	0 ... +35
Допустимая температура внешней среды во время эксплуатации и во время хранения	°C	-20 ... +50	-20 ... +50
Рекомендуемые аккумуляторы		GBA 18V... ProCORE18V...	GBA 18V... ProCORE18V...
Рекомендуемые зарядные устройства		GAL 18... GAX 18... GAL 36...	GAL 18... GAX 18... GAL 36...

A) Измерения при 20-25 °C с аккумулятором **GBA 18V 2.0Ah**.

B) Измерения проведены с **GBA 18V 1.5Ah** и **GBA 18V 12Ah**.

Данные по шуму и вибрации

		GSR 185-LI	GSB 185-LI
Шумовая эмиссия определена в соответствии с EN 62841-2-1 .			
Уровень шума во время работы может превышать указанные значения.			
A-взвешенный уровень шума от электроинструмента составляет обычно			
Уровень звукового давления	дБ(A)	72	86
Уровень звуковой мощности	дБ(A)	83	97
Погрешность K	дБ	5	5
Используйте средства защиты органов слуха!			

Суммарная вибрация a_h (векторная сумма трех направлений) и погрешность K определены в соответствии с **EN 62841-2-1**:

Сверление:

		GSR 185-LI	GSB 185-LI
a_h	m/c^2	< 2,5	< 2,5
K	m/c^2	1,5	1,5
Сверление с ударом:			
a_h	m/c^2	-	12,2
K	m/c^2	-	1,5

Указанные в настоящих инструкциях уровень вибрации и значение шумовой эмиссии измерены по методике измерения, прописанной в стандарте, и могут быть использованы для сравнения электроинструментов. Они также пригодны для предварительной оценки уровня вибрации и шумовой эмиссии.

Уровень вибрации и значение шумовой эмиссии указаны для основных видов работы с электроинструментом. Однако если электроинструмент будет использован для выполнения других работ с применением непредусмотренных изготовителем рабочих инструментов или техническое обслуживание не будет отвечать предписаниям, то значения уровня вибрации и шумовой эмиссии могут быть иными. Это может значительно повысить общий уровень вибрации и общую шумовую эмиссию в течение всей продолжительности работы.

Для точной оценки уровня вибрации и шумовой эмиссии в течение определенного временного интервала нужно учитывать также и время, когда инструмент выключен или, хотя и включен, но не находится в работе. Это может значительно сократить уровень вибрации и шумовую эмиссию в пересчете на полное рабочее время.

Предусмотрите дополнительные меры безопасности для защиты оператора от воздействия вибрации, например: техническое обслуживание электроинструмента и рабочих инструментов, меры по поддержанию рук в тепле, организация технологических процессов.

Сборка

- **До начала работ по техобслуживанию, смене инструмента и т. д., а также при транспортировке и хранении извлекайте аккумулятор из электроинструмента.** При непреднамеренном включении возникает опасность травмирования.

Зарядка аккумулятора

- **Пользуйтесь только зарядными устройствами, указанными в технических параметрах.** Только эти зарядные устройства пригодны для литиево-ионного аккумулятора Вашего электроинструмента.

Указание: Аккумуляторная батарея поставляется в частично заряженном состоянии. Для обеспечения полной мощности аккумулятора зарядите его полностью перед первым применением.

Литий-ионный аккумулятор может быть заряжен в любое время без сокращения срока службы. Прекращение процесса зарядки не наносит вреда аккумулятору.

Литиево-ионная аккумуляторная батарея защищена от глубокой разрядки системой „Electronic Cell Protection (ECP)“. Защитная схема выключает электроинструмент при разряженном аккумуляторе – рабочий инструмент останавливается.

Учитывайте указания по утилизации.

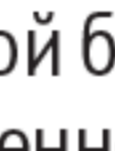

Извлечение аккумулятора

Аккумулятор (6) оснащен двумя ступенями фиксирования, призванными предотвращать выпадение аккумулятора при непреднамеренном нажатии на кнопку разблокировки (7). Пока аккумулятор находится в электроинструменте, пружина держит его в соответствующем положении.

Чтобы извлечь аккумуляторную батарею (6), нажмите на кнопку разблокировки (7) и извлеките аккумулятор из электроинструмента. **Не применяйте при этом силы.**

Индикатор заряженности аккумуляторной батареи

Зеленые светодиоды на индикаторе заряженности аккумулятора показывают уровень его заряда. По причинам безопасности индикатор заряженности активен только в состоянии покоя электроинструмента.

Нажмите кнопку индикатора заряженности аккумуляторной батареи  или , чтобы отобразить степень заряженности аккумуляторной батареи. Это возможно также и при извлеченной аккумуляторной батарее.

Если после нажатия на кнопку индикатора заряженности аккумуляторной батареи не загорается ни один светодиодный индикатор, аккумулятор неисправен и должен быть заменен.

Тип аккумулятора GBA 18V...



Светодиоды	Емкость
Непрерывный зеленый свет 3×	60–100 %
Непрерывный зеленый свет 2×	30–60 %
Непрерывный зеленый свет 1×	5–30 %
Мигание зеленым цветом 1×	0–5 %

Тип аккумулятора ProCORE18V...



Светодиоды	Емкость
Непрерывный зеленый свет 5×	80–100 %
Непрерывный зеленый свет 4×	60–80 %
Непрерывный зеленый свет 3×	40–60 %
Непрерывный зеленый свет 2×	20–40 %
Непрерывный зеленый свет 1×	5–20 %
Мигание зеленым цветом 1×	0–5 %

Замена рабочего инструмента (см. рис. А)

► До начала работ по техобслуживанию, смене инструмента и т. д., а также при транспортировке и хранении извлекайте аккумулятор из электроинструмента. При непреднамеренном включении возникает опасность травмирования.

При ненажатом выключателе (10) сверлильный шпindel фиксируется. Это позволяет быстро, удобно и просто менять рабочий инструмент в сверлильном патроне. Откройте быстрозажимной сверлильный патрон (2), поворачивая его в направлении вращения ❶ настолько, чтобы можно было вставить рабочий инструмент. Вставьте инструмент.

От руки туго затяните гильзу быстрозажимного сверлильного патрона (2) в направлении ❷. При этом сверлильный патрон автоматически фиксируется.

Удаление пыли и стружки

Пыль некоторых материалов, как напр., красок с содержанием свинца, некоторых сортов древесины, минералов и металлов, может быть вредной для здоровья. Прикосновение к пыли и попадание пыли в дыхательные пути может вызвать аллергические реакции и/или заболевания дыхательных путей оператора или находящегося вблизи персонала.

Определенные виды пыли, напр., дуба и бука, считаются канцерогенными, особенно совместно с присадками для обработки древесины (хромат, средство для защиты древесины). Материал с содержанием асбеста разрешается обрабатывать только специалистам.

- Хорошо проветривайте рабочее место.
- Рекомендуется пользоваться респираторной маской с фильтром класса P2.

Соблюдайте действующие в Вашей стране предписания для обрабатываемых материалов.

► Избегайте скопления пыли на рабочем месте. Пыль может легко воспламениться.

Работа с инструментом

Включение электроинструмента

Установка аккумулятора

Указание: Применение аккумуляторов, не предназначенных для данного электроинструмента, может привести к сбоям в работе или повреждению электроинструмента.

Вставьте заряженный аккумулятор (6) спереди в ножку электроинструмента, чтобы аккумулятор надежно зафиксировался.

Настройка направления вращения (см. рис. В)

► Приводите в действие переключатель направления вращения (9) только при остановленном электроинструменте.

Выключателем направления вращения (9) можно изменять направление вращения электроинструмента. При вжатом выключателе (10) это, однако, невозможно.

⤵ **Правое вращение:** Для сверления и завинчивания шурупов передвиньте переключатель направления вращения (9) до упора влево.

⤵ **Левое направление вращения:** Для ослабления и выворачивания винтов/шурупов и отвинчивания гаек передвиньте переключатель направления вращения (9) вправо до упора.

Установка режима работы

Сверление



GSR 185-LI

Установите установочное кольцо крутящего момента (3) на символ «Сверление».

GSB 185-LI

Установите установочное кольцо режима работы (4) на символ «Сверление».

Закручивание



GSR 185-LI

Установите установочное кольцо крутящего момента (3) на нужный крутящий момент.

GSB 185-LI

Установите установочное кольцо режима работы (4) на символ «Закручивание/откручивание винтов».

Установите установочное кольцо крутящего момента (3) на нужный крутящий момент.

Сверление с ударом



GSB 185-LI

Установите установочное кольцо режима работы (4) на символ «Сверление с ударом».

Включение/выключение

Для **включения** электроинструмента нажмите на выключатель (10) и удерживайте его нажатым.

Светодиод (8) загорается при легком или полном нажатии на выключатель (10) и позволяет освещать рабочую зону при недостаточном общем освещении.

Для **выключения** электроинструмента отпустите выключатель (10).

Светодиодная подсветка с индикатором состояния



Светодиодная подсветка (8) также используется в качестве индикатора состояния для защиты прибора и предупреждения о низком уровне заряда батареи:

Светодиодный сигнал обратной связи	Описание
Мигает 3 раза при работе	Низкий уровень заряда аккумулятора. Заряд аккумулятора ниже оптимального значения напряжения. Мощность прибора ограничена.
Мигает 3 раза после полной остановки	Активирована защита прибора. Защита прибора срабатывает, чтобы защитить аккумулятор от повышенного энергопотребления и защитить прибор от повреждения.

– Если уровень заряда аккумулятора низкий, зарядите аккумулятор (6) или замените разряженный аккумулятор на полностью заряженный.

Установка числа оборотов

Число оборотов включенного электроинструмента можно плавно регулировать, изменяя для этого усилие нажатия на выключатель (10).

При слабом нажатии на выключатель (10) электроинструмент работает с низким числом оборотов. С увеличением силы нажатия число оборотов увеличивается.

Установка крутящего момента (режим закручивания)

С помощью установочного кольца крутящего момента (3) можно установить одну из 20 ступеней крутящего момента. После достижения установленного крутящего момента вращение сменного инструмента останавливается.

Механический выбор передачи

► **Приводите в действие переключатель передач (5) только при остановленном электроинструменте.**

1-я передача:

Диапазон низкого числа оборотов для работы со сверлами с большими диаметрами или для завинчивания винтов/шурупов.

2-я передача:

Диапазон высокого числа оборотов для работы со сверлами небольшого диаметра.

► **Переключайте переключатель передач всегда до упора.** В противном случае электроинструмент может быть поврежден.

Термическая защита от перегрузки

При использовании электроинструмента по назначению его перегрузка невозможна. При сильной перегрузке или

выходе за пределы допустимого диапазона рабочей температуры число оборотов уменьшается. Лишь после достижения допустимой рабочей температуры электроинструмент снова начинает работать с полным числом оборотов.

Автоматическое фиксирование шпинделя (Auto-Lock)

При ненажатом выключателе (10) сверлильный шпиндель, а тем самым и патрон (1) фиксируется.

Это позволяет вворачивать шурупы также и при разрядившемся аккумуляторе (6) или использовать электроинструмент в качестве отвертки.

Указания по применению

► **Устанавливайте электроинструмент на винт только в выключенном состоянии.** Вращающиеся рабочие инструменты могут соскользнуть.

Перед завертыванием больших длинных шурупов в твердые материалы следует предварительно высверлить отверстие с диаметром, соответствующим внутреннему диаметру резьбы, прибл. на 2/3 длины шурупа.

Для изъятия бита-насадки или универсального держателя бит-насадок можно использовать вспомогательный инструмент.

Пружинный зажим для пояса (принадлежности)

С помощью зажима для пояса можно повесить электроинструмент, например, на пояс. При этом освобождаются обе руки и электроинструмент в любое время под рукой.

Описанные принадлежности не входят в стандартный комплект поставки.

Техобслуживание и сервис

Техобслуживание и очистка

► **До начала работ по техобслуживанию, смене инструмента и т. д., а также при транспортировке и хранении извлекайте аккумулятор из электроинструмента.** При непреднамеренном включении возникает опасность травмирования.

► **Для обеспечения качественной и безопасной работы содержите электроинструмент и вентиляционные прорези в чистоте.**

Реализацию продукции разрешается производить в магазинах, отделах (секциях), павильонах и киосках, обеспечивающих сохранность продукции, исключающих попадание на неё атмосферных осадков и воздействие источников повышенных температур (резкого перепада температур), в том числе солнечных лучей.

Продавец (изготовитель) обязан предоставить покупателю необходимую и достоверную информацию о продукции, обеспечивающую возможность её правильного выбора. Информация о продукции в обязательном порядке должна содержать сведения, перечень которых установлен законодательством Российской Федерации.

Если приобретаемая потребителем продукция была в употреблении или в ней устранялся недостаток (недостат-

ки), потребителю должна быть предоставлена информация об этом.

В процессе реализации продукции должны выполняться следующие требования безопасности:

- Продавец обязан довести до сведения покупателя фирменное наименование своей организации, место её нахождения (адрес) и режим её работы;
- Образцы продукции в торговых помещениях должны обеспечивать возможность ознакомления покупателя с надписями на изделиях и исключать любые самостоятельные действия покупателей с изделиями, приводящие к запуску изделий, кроме визуального осмотра;
- Продавец обязан довести до сведения покупателя информацию о подтверждении соответствия этих изделий установленным требованиям, о наличии сертификатов или деклараций о соответствии;
- Запрещается реализация продукции при отсутствии (утрате) её идентификационных признаков, с истёкшим сроком годности, следами порчи и без инструкции (руководства) по эксплуатации, обязательного сертификата соответствия либо знака соответствия.

Сервис и консультирование по вопросам применения

Сервисный отдел ответит на все Ваши вопросы по ремонту и обслуживанию Вашего продукта, а также по запчастям. Изображения с пространственным разделением делателей и информацию по запчастям можно посмотреть также по адресу:

www.bosch-pt.com

Коллектив сотрудников Bosch, предоставляющий консультации на предмет использования продукции, с удовольствием ответит на все Ваши вопросы относительно нашей продукции и ее принадлежностей.

Пожалуйста, во всех запросах и заказах запчастей обязательно указывайте 10-значный товарный номер по заводской табличке изделия.

Для региона: Россия, Беларусь, Казахстан, Украина

Гарантийное обслуживание и ремонт электроинструмента, с соблюдением требований и норм изготовителя производятся на территории всех стран только в фирменных или авторизованных сервисных центрах «Роберт Бош». **ПРЕДУПРЕЖДЕНИЕ!** Использование контрафактной продукции опасно в эксплуатации, может привести к ущербу для Вашего здоровья. Изготовление и распространение контрафактной продукции преследуется по Закону в административном и уголовном порядке.

Россия

Уполномоченная изготовителем организация:
ООО «Роберт Бош» Васькинское шоссе, вл. 24
141400, г. Химки, Московская обл.
Тел.: +7 800 100 8007
E-Mail: info.powertools@ru.bosch.com
www.bosch-pt.ru

Дополнительные адреса сервисных центров вы найдете по ссылке:

www.bosch-pt.com/serviceaddresses

В случае выхода электроинструмента из строя в течение гарантийного срока эксплуатации по вине изготовителя, владелец имеет право на бесплатный гарантийный ремонт, при соблюдении следующих условий:

- отсутствие механических повреждений;
- отсутствие признаков нарушения требований руководства по эксплуатации
- наличие в руководстве по эксплуатации отметки продавца о продаже и подписи покупателя;
- соответствие серийного номера электроинструмента и серийному номеру в гарантийном талоне;
- отсутствие следов неквалифицированного ремонта.

Гарантия не распространяется на:

- любые поломки, связанные с форс-мажорными обстоятельствами;
- нормальный износ: электроинструмента, так же, как и все электрические.

Гарантией не покрывается ремонт, потребность в котором возникает вследствие нормального износа, сокращающего срок службы таких частей инструмента, как присоединительные контакты, провода, щётки и т.п.:

- естественный износ (полная выработка ресурса);
- оборудование и его части, выход из строя которых стал следствием неправильной установки, несанкционированной модификации, неправильного применения, нарушение правил обслуживания или хранения;
- неисправности, возникшие в результате перегрузки электроинструмента. (К безусловным признакам перегрузки инструмента относятся: появление цвета побежалости, деформация или оплавление деталей и узлов электроинструмента, потемнение или обугливание изоляции проводов электродвигателя под действием высокой температуры.)

Транспортировка

На рекомендуемые литий-ионные аккумуляторные батареи распространяются требования в отношении транспортировки опасных грузов. Аккумуляторные батареи могут перевозиться самим пользователем автомобильным транспортом без необходимости соблюдения дополнительных норм.

При перевозке с привлечением третьих лиц (напр.: самолетом или транспортным экспедитором) необходимо соблюдать особые требования к упаковке и маркировке. В этом случае при подготовке груза к отправке необходимо участие эксперта по опасным грузам.

Отправляйте аккумуляторную батарею только с неповрежденным корпусом. Заклейте открытые контакты и упакуйте аккумуляторную батарею так, чтобы она не перемещалась внутри упаковки. Пожалуйста, соблюдайте также возможные дополнительные национальные предписания.

Утилізація



Електроінструменти, акумуляторні батареї, принадлежности і упаковку потрібно сдавати на екологічно чисту рекуперацію.



Не викидайте електроінструменти і акумуляторні батареї/батареї в побутовий сміття!

Тільки для стран-членів ЄС:

В соответствии с европейской директивой 2012/19/EU об отработанных электрических и электронных приборах и ее преобразованием в национальное законодательство вышедшие из употребления электроинструменты и в соответствии с европейской директивой 2006/66/EC дефектные или отслужившие свой срок аккумуляторные батареи/батареи должны собираться отдельно и сдаваться на экологически чистую рекуперацию.

При неправильной утилизации отработанные электрические и электронные приборы могут оказать вредное воздействие на окружающую среду и здоровье человека из-за возможного присутствия в них опасных веществ.

Акумулятори/батареї:

Литий-іонні:

Пожалуйста, учитывайте указание в разделе Транспортировка (см. „Транспортировка“, Страница 131).

Українська

Вказівки з техніки безпеки

Загальні вказівки з техніки безпеки для електроінструментів

⚠ ПОПЕРЕДЖЕННЯ

Прочитайте всі вказівки з техніки безпеки, інструкції, ілюстрації та специфікації, надані з цим

електроінструментом. Невиконання усіх поданих нижче інструкцій може призвести до ураження електричним струмом, пожежі і/або серйозної травми.

Добре зберігайте на майбутнє ці попередження і вказівки.

Під поняттям «електроінструмент» в цих застереженнях мається на увазі електроінструмент, що працює від мережі (з електрокабелем) або від акумуляторної батареї (без електрокабелю).

Безпека на робочому місці

- ▶ **Тримайте своє робоче місце в чистоті і забезпечте добре освітлення робочого місця.** Безлад або погане освітлення на робочому місці можуть призвести до нещасних випадків.

- ▶ **Не працюйте з електроінструментом у середовищі, де існує небезпека вибуху внаслідок присутності горючих рідин, газів або пилу.** Електроінструменти можуть породжувати іскри, від яких може займатися пил або пари.
- ▶ **Під час праці з електроінструментом не підпускайте до робочого місця дітей та інших людей.** Ви можете втратити контроль над електроінструментом, якщо Ви не будете зосереджені на виконанні роботи.

Електрична безпека




- ▶ **Штепсель електроінструмента повинен пасувати до розетки. Не дозволяється міняти щось в штепселі. Для роботи з електроінструментами, що мають захисне заземлення, не використовуйте адаптери.** Використання оригінального штепселя та належної розетки зменшує ризик ураження електричним струмом.
- ▶ **Уникайте контакту частин тіла із заземленими поверхнями, напр., трубами, батареями опалення, плитами та холодильниками.** Коли Ваше тіло заземлене, існує збільшена небезпека ураження електричним струмом.
- ▶ **Захищайте електроінструменти від дощу і вологи.** Попадання води в електроінструмент збільшує ризик ураження електричним струмом.
- ▶ **Не використовуйте мережний шнур живлення не за призначенням. Ніколи не використовуйте мережний шнур для перенесення або перетягування електроінструмента або витягання штепселя з розетки. Захищайте кабель від тепла, мастила, гострих країв та рухомих деталей електроінструмента.** Пошкоджений або закручений кабель збільшує ризик ураження електричним струмом.
- ▶ **Для зовнішніх робіт обов'язково використовуйте лише такий подовжувач, що придатний для зовнішніх робіт.** Використання подовжувача, що розрахований на зовнішні роботи, зменшує ризик ураження електричним струмом.
- ▶ **Якщо не можна запобігти використанню електроінструмента у вологому середовищі, використовуйте пристрій захисного вимкнення.** Використання пристрою захисного вимкнення зменшує ризик ураження електричним струмом.

Безпека людей

- ▶ **Будьте уважними, слідкуйте за тим, що Ви робите, та розсудливо поведіться під час роботи з електроінструментом. Не користуйтеся електроінструментом, якщо Ви стомлені або знаходитесь під дією наркотиків, спиртних напоїв або ліків.** Мить неуважності при користуванні електроінструментом може призвести до серйозних травм.
- ▶ **Використовуйте засоби індивідуального захисту. Завжди вдягайте захисні окуляри.** Застосування

de	EU-Konformitätserklärung Akku-Bohrschrauber	Sachnummer	Wir erklären in alleiniger Verantwortung, dass die genannten Produkte allen einschlägigen Bestimmungen der nachfolgend aufgeführten Richtlinien und Verordnungen entsprechen und mit folgenden Normen übereinstimmen. Technische Unterlagen bei: *
en	EU Declaration of Conformity Cordless Drill/Driver	Article number	We declare under our sole responsibility that the stated products comply with all applicable provisions of the directives and regulations listed below and are in conformity with the following standards. Technical file at: *
fr	Déclaration de conformité UE Perceuse-visseuse sans fil	N° d'article	Nous déclarons sous notre propre responsabilité que les produits décrits sont en conformité avec les directives, règlements normatifs et normes énumérés ci-dessous. Dossier technique auprès de : *
es	Declaración de conformidad UE Atornilladora taladradora accionada por acumulador	Nº de artículo	Declaramos bajo nuestra exclusiva responsabilidad, que los productos nombrados cumplen con todas las disposiciones correspondientes de las Directivas y los Reglamentos mencionados a continuación y están en conformidad con las siguientes normas. Documentos técnicos de: *
pt	Declaração de Conformidade UE Berbequim/aparafusador sem fio	N.º do produto	Declaramos sob nossa exclusiva responsabilidade que os produtos mencionados cumprem todas as disposições e os regulamentos indicados e estão em conformidade com as seguintes normas. Documentação técnica pertencente à: *
it	Dichiarazione di conformità UE Trapano-avvitatore a batteria	Codice prodotto	Dichiariamo sotto la nostra piena responsabilità che i prodotti indicati sono conformi a tutte le disposizioni pertinenti delle Direttive e dei Regolamenti elencati di seguito, nonché alle seguenti Normative. Documentazione Tecnica presso: *
nl	EU-conformiteitsverklaring Accuboorschroevendraaier	Productnummer	Wij verklaren op eigen verantwoordelijkheid dat de genoemde producten voldoen aan alle desbetreffende bepalingen van de hierna genoemde richtlijnen en verordeningen en overeenstemmen met de volgende normen. Technisch dossier bij: *
da	EU-overensstemmelseserklæring Akku-boreskrue trækker	Typenummer	Vi erklærer som eneansvarlige, at det beskrevne produkt er i overensstemmelse med alle gældende bestemmelser i følgende direktiver og forordninger og opfylder følgende standarder. Tekniske bilag ved: *
sv	EU-konformitetsförklaring Sladdlös borrarvdragare	Produktnummer	Vi förklarar under eget ansvar att de nämnda produkterna uppfyller kraven i alla gällande bestämmelser i de nedan angivna direktiven och förordningarnas och att de stämmer överens med följande normer. Teknisk dokumentation: *
no	EU-samsvarserklæring Batteriboreskruttrækker	Produktnummer	Vi erklærer under eneansvar at de nevnte produktene er i overensstemmelse med alle relevante bestemmelser i direktivene og forordningene nedenfor og med følgende standarder. Teknisk dokumentasjon hos: *
fi	EU-vaatimusten mukaisuusvakuutus Akkuruuvinväännin	Tuotenumero	Vakuutamme täten, että mainitut tuotteet vastaavat kaikkia seuraavien direktiivien ja asetusten asiaankuuluvia vaatimuksia ja ovat seuraavien standardien vaatimusten mukaisia. Tekniset asiakirjat saatavana: *
el	Δήλωση πιστότητας ΕΕ Δραπανοκατσαβίδο μπαταρίας	Αριθμός ευρετηρίου	Δηλώνουμε με αποκλειστική μας ευθύνη, ότι τα αναφερόμενα προϊόντα αντιστοιχούν σε όλες τις σχετικές διατάξεις των πιο κάτω αναφερόμενων οδηγιών και κανονισμών και ταυτίζονται με τα ακόλουθα πρότυπα. Τεχνικά έγγραφα στη: *
tr	AB Uygunluk beyanı Akülü delme/vidalama makinesi	Ürün kodu	Tek sorumlu olarak, tanımlanan ürünün aşağıdaki yönetmelik ve direktiflerin geçerli bütün hükümlerine ve aşağıdaki standartlara uygun olduğunu beyan ederiz. Teknik belgelerin bulunduğu yer: *

pl	Deklaracja zgodności UE Wiertarko- wkrętarka akumulatorowa	Numer katalogowy	Oświadczamy z pełną odpowiedzialnością, że niniejsze produkty odpowiadają wszystkim wymaganiom poniżej wyszczególnionych dyrektyw i rozporządzeń, oraz że są zgodne z następującymi normami. Dokumentacja techniczna: *
cs	EU prohlášení oshodě Akumulátorový vrtací šroubovák	Objednací číslo	Prohlašujeme na výhradní zodpovědnost, že uvedený výrobek splňuje všechna příslušná ustanovení níže uvedených směrnic a nařízení a je vsouladu snásledujícími normami: Technické podklady u: *
sk	EÚ vyhlásenie ozhode Akumulátorový vrtací skrutkovač	Vecné číslo	Vyhlasujeme na výhradnú zodpovednosť, že uvedený výrobok spĺňa všetky príslušné ustanovenia nižšie uvedených smerníc a nariadení a je vsúlade snásledujúcimi normami: Technické podklady má spoločnosť: *
hu	EU konformitási nyilatkozat Akkumulátoros fúró- és csavarozógép	Cikkszám	Egyedüli felelősséggel kijelentjük, hogy a megnevezett termékek megfelelnek az alábbiakban felsorolásra kerülő irányelvek és rendeletek valamennyi idevágó előírásainak és megfelelnek a következő szabványoknak. Műszaki dokumentumok megőrzési pontja: *
ru	Заявление о соответствии ЕС Дрель- шурупверт	Товарный №	Мы заявляем под нашу единоличную ответственность, что названные продукты соответствуют всем действующим предписаниям нижеуказанных директив и распоряжений, а также нижеуказанных норм. Техническая документация хранится у: *
uk	Заява про відповідність ЄС Акумуляторний дріль- шурупверт	Товарний номер	Мизаявляємо під нашу одноособову відповідальність, що названі вироби відповідають усім чинним положенням нищезначених директив і розпоряджень, а також нищезначеним нормам. Технічна документація зберігається у: *
kk	ЕО сәйкестік мағлұмдамасы Акумуляторлық дрель-шуруп бұрауыш	Өнім нөмірі	Өз жауапкершілікпен біз аталған өнімдер төменде жзылған директикалар мен жарлықтардың тиісті қағидаларына сәйкестігін және төмендегі нормаларға сай екенін білдіреміз. Техникалық құжаттар: *
ro	Declarație de conformitate UE Mașină de găurit și înșurubat cu acumulator	Număr de identificare	Declarăm pe proprie răspundere că produsele menționate corespund tuturor dispozițiilor relevante ale directivelor și reglementărilor enumerate în cele ce urmează și sunt în conformitate cu următoarele standarde. Documentație tehnică la: *
bg	ЕС декларация за съответствие Акумуляторен винтоверт	Каталожен номер	С пълна отговорност ние декларираме, че посочените продукти отговарят на всички валидни изисквания на директивите и разпоредбите по-долу и съответства на следните стандарти. Техническа документация при: *
mk	EU-Изјава за сообразност Батериска дупчалка- одвртувач	Број на дел/артикл	Со целосна одговорност изјавуваме, дека опишаните производи се во согласност со сите релевантни одредби на следните регулативи и прописи и се во согласност со следните норми. Техничка документација кај: *
sr	EU-izjava o usaglašenosti Akumulatorska bušilica-odvrtač	Broj predmeta	Na sopstvenu odgovornost izjavljujemo, da navedeni proizvodi odgovaraju svim dotičnim odredbama naknadno navedenih smernica u uredaba i da su u skladu sa sledećim standardima. Tehnička dokumentacija kod: *
sl	Izjava o skladnosti EU Akumulatorski vrtalni vijačnik	Številka artikla	Izjavljamo pod izključno odgovornostjo, da je omenjen izdelek v skladu z vsemi relevantnimi določili direktiv in uredb ter ustreza naslednjim standardom. Tehnična dokumentacija pri: *
hr	EU izjava o sukladnosti Aku bušilica i odvijač	Kataloški br.	Pod punom odgovornošću izjavljujemo da navedeni proizvodi odgovaraju svim relevantnim odredbama direktiva i propisima navedenima u nastavku i

		da su sukladni sa sljedećim normama. Tehnička dokumentacija se može dobiti kod: *	
et	EL-vastavusdeklaratsioon	Kinnitame ainuvastutajatena, et nimetatud tooted vastavad järgnevalt loetletud direktiivide ja määruste kõikidele asjaomastele nõuetele ja on kooskõlas järgmiste normidega. Tehnilised dokumendid saadaval: *	
	Akutrell-kruvikeeraja Tootenumber		
lv	Deklarācija par atbilstību ES standartiem	Mēs ar pilnu atbildību paziņojam, ka šeit aplūkoti izstrādājumi atbilst visiem tālāk minētajās direktīvās un rīkojumos ietvertajām saistošajām nostādnēm, kā arī sekojošiem standartiem. Tehniskā dokumentācija no: *	
	Akumulatora urbjmašina – skrūvgriezis Izstrādājuma numurs		
lt	ES atitikties deklaracija	Atsakingai pareiškiame, kad išvardyti gaminiai atitinka visus privalomus žemiau nurodytų direktyvų ir reglamentų reikalavimus ir šiuos standartus. Techninė dokumentacija saugoma: *	
	Akumulatorinis gręžtuvassuktuvass Gaminio numeris		
GSR 185-LI	3 601 JK3 000	2006/42/EC	EN 62841-1:2015
GSB 185-LI	3 601 JK3 001	2014/30/EU	EN 62841-2-1:2018+A11:2019
	3 601 JK3 100	2011/65/EU	EN IEC 55014-1:2021
	3 601 JK3 101		EN IEC 55014-2:2021
			EN IEC 63000:2018
		 BOSCH	* Robert Bosch Power Tools GmbH (PT/ECS) 70538 Stuttgart GERMANY
		Henk Becker Chairman of Executive Management	Helmut Heinzelmann Head of Product Certification
			
		Robert Bosch Power Tools GmbH, 70538 Stuttgart, GERMANY Stuttgart, 01.07.2022	

IV

CE



Declaration of Conformity

Cordless Drill/ Driver

GSR 185-LI**GSB 185-LI**

Article number

3 601 JK3 000**3 601 JK3 100****3 601 JK3 001****3 601 JK3 101**

We declare under our sole responsibility that the stated products comply with all applicable provisions of the regulations listed below and are in conformity with the following standards.

Technical file at: Robert Bosch Ltd. (PT/SOP-GB), Broadwater Park, North Orbital Road, Uxbridge UB9 5HJ, United Kingdom

The Supply of Machinery (Safety) Regulations 2008
The Electromagnetic Compatibility Regulations 2016
The Restriction of the Use of Certain Hazardous Substances in
Electrical and Electronic Equipment Regulations 2012

EN 62841-1:2015
EN 62841-2-1:2018+A11:2019
EN IEC 55014-1:2021
EN IEC 55014-2:2021
EN IEC 63000:2018

Robert Bosch Power Tools GmbH, 70538 Stuttgart, Germany
represented (in terms of the above regulations) by
Robert Bosch Limited, Broadwater Park, North Orbital Road,
Uxbridge UB9 5HJ, United Kingdom



Vonjy Rajakoba
Managing Director - Bosch UK

A handwritten signature in blue ink, appearing to read 'Vonjy Rajakoba'.

Martin Sibley
Head of Sales Operations and Aftersales

A handwritten signature in blue ink, appearing to read 'Martin Sibley'.

Robert Bosch Ltd. Broadwater Park, North Orbital Road, Uxbridge UB9 5HJ, United Kingdom, as authorised representative
acting on behalf of Robert Bosch Power Tools GmbH, 70538 Stuttgart, Germany

Place of issue: Uxbridge

Date of issue: 19/08/2022